

Metric Conversions

MM x 0.03937 = Inches
Inches x 25.4 = MM
Grams x 0.03527 = Ounces
Ounces x 28.349527 = Grams

EAGLE ROCK[®]
TECHNOLOGIES

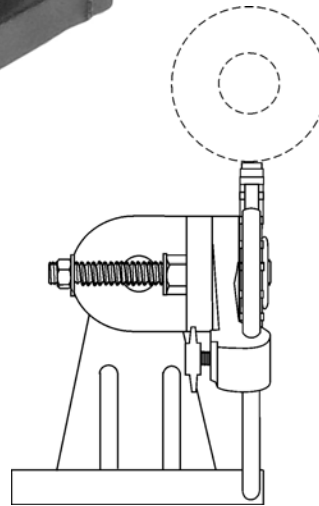
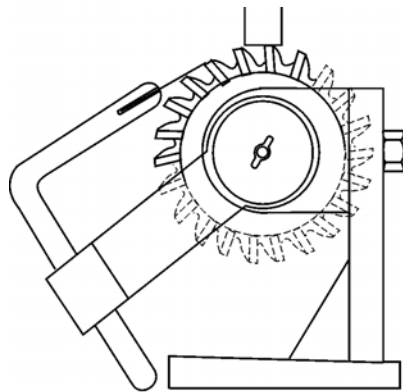
Wettstein Tool[™]

Grinding Accessories

No. A1-206

Milling Cutter Grinding Fixture

For use on your surface grinder. Fully adjustable to accommodate straight or angle milling cutters up to 6" diameter and 1" width. A complete set of bushings are included to accommodate 7/8", 1", 1 1/4", and 1 1/2" cutter bores.



Cat. No.
Milling Cutter Grinding Fixture A1-206-00

EAGLE ROCK[®] TECHNOLOGIES INC.

*Manufacturers of Specialty
Tooling and Accessories since 1963*

One Eagle Rock Drive
Bath, Pennsylvania
18014-9648

1-610-759-5200 • Fax: 1-610-759-4340
1-800-EAGLEROCK • 1-800-324-5376
www.EagleRockONLINE.com