

Metric Conversions

MM x 0.03937 = Inches
Inches x 25.4 = MM
Grams x 0.03527 = Ounces
Ounces x 28.349527 = Grams

EAGLE ROCK[®]
TECHNOLOGIES

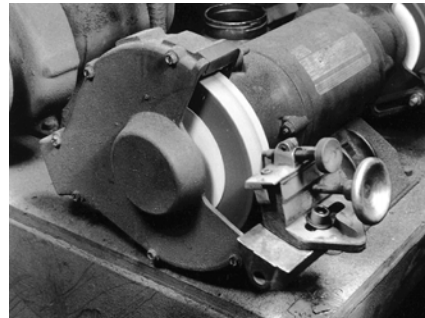
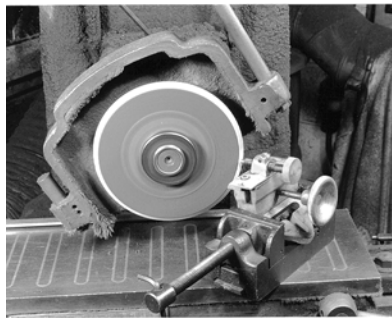
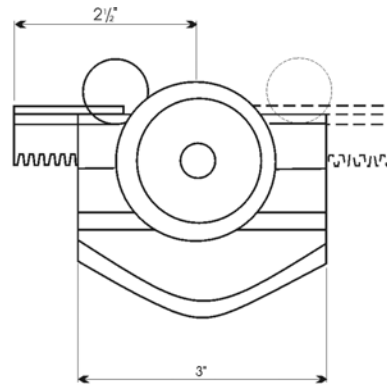
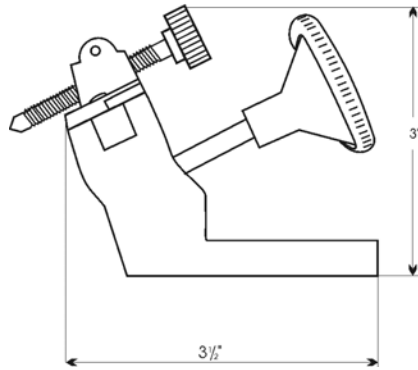
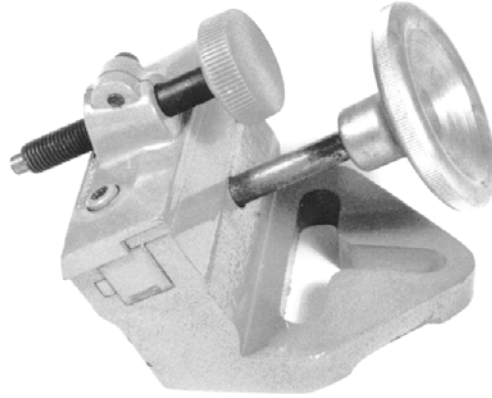
Wettstein Tool[™]

Grinding Accessories

No. A1-247

RED FLASH[™] Wheel Dresser

For dressing grinding wheels up to 2½" wide. Rack and gear design insures a smooth and consistent movement on even the widest wheels. Includes one premium ¼ Karat Diamond.



RED FLASH Wheel Dresser **Cat. No. A1-247-00**

EAGLE ROCK[®] TECHNOLOGIES INC.

Manufacturers of Specialty Tooling and Accessories since 1963

One Eagle Rock Drive
Bath, Pennsylvania
18014-9648

1-610-759-5200 • Fax: 1-610-759-4340
1-800-EAGLEROCK • 1-800-324-5376
www.EagleRockONLINE.com