

Metric Conversions

MM x 0.03937 = Inches
 Inches x 25.4 = MM
 Grams x 0.03527 = Ounces
 Ounces x 28.349527 = Grams

EAGLE ROCK[®]
TECHNOLOGIES

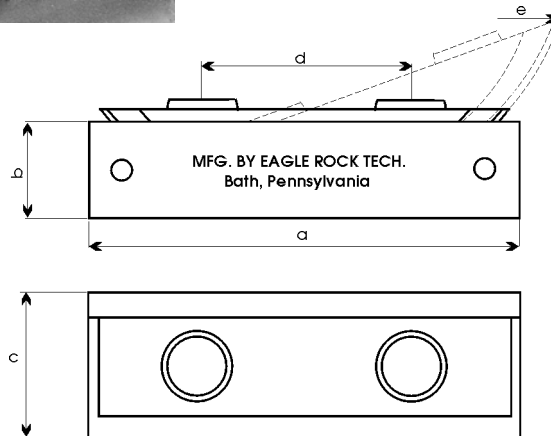
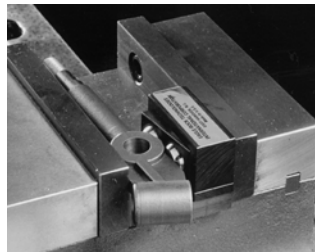
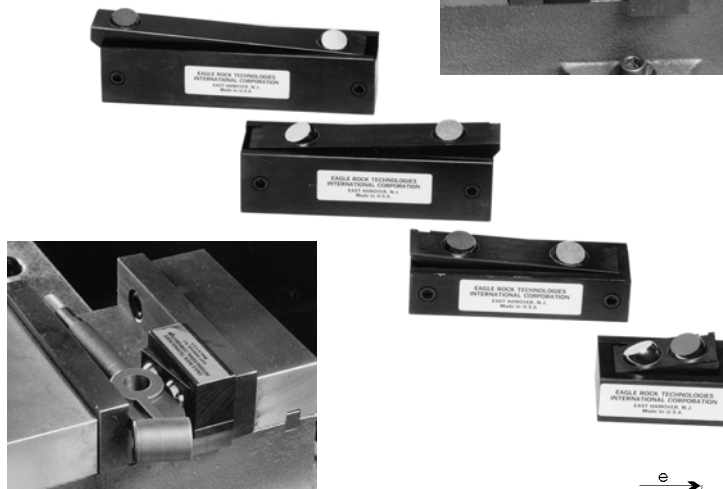
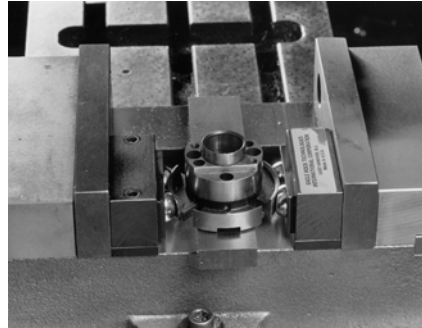
Wettstein Tool[™]

Milling Accessories

No. A1-26

UNPARALLEL'S[™] Vise Jaw Swivel Blocks

For improved holding of round or odd shaped parts in your milling vices. Block and ball pad swivel to accommodate irregular shapes for improved holding pressure. Body and swivel are solid steel construction for durability and long life.



a	b	c	d	e	Cat. No.
2 1/2	1 5/16	1 1/2"	7/8	13 deg.	A1-26-2500
4 1/2	1 5/16	1 1/2"	2 1/4"	7 deg.	A1-26-4500
5 1/2	1 13/16	1 1/2"	3 1/4"	6 deg.	A1-26-5500
6 1/2	1 13/16	1 1/2"	5"	5 deg.	A1-26-6500

EAGLE ROCK[®] TECHNOLOGIES INC. *Manufacturers of Specialty Tooling and Accessories since 1963*
 One Eagle Rock Drive
 Bath, Pennsylvania
 18014-9648
 1-610-759-5200 • Fax: 1-610-759-4340
 1-800-EAGLEROCK • 1-800-324-5376
 www.EagleRockONLINE.com